



The black Kitten (age 3-6 years)

Ref. KP4055

Last check oct. 2019

Page 1/2

EN-1176-1: 1/7

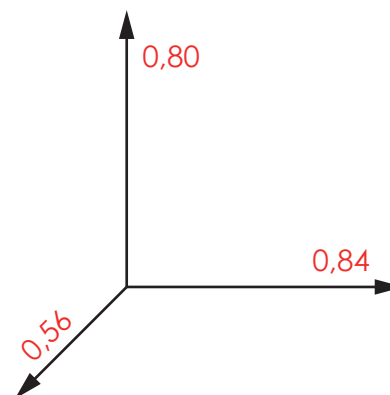


SERIE
ANIMALS
SERIES

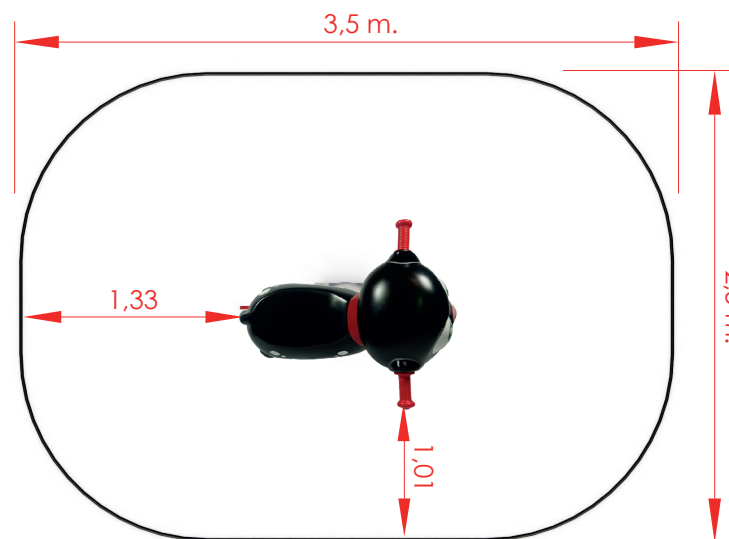
The Little Ones



Dimensiones
máximas (m.)



Área de seguridad: 7,8 m²



Technical information.

Animal: Main body made of polyester, painted by mass, with geal-coat of predominant color and antigraffiti treatment.

Structure: Internal frame made of steel to be anchored to the spring.

Spring: Standard made of steel s/norm UNE1176 with thermosetting polyester coating.

Bindings: Made in galvanized steel to be anchored on concrete deck.

Technical data.

Assembly: 1 pers. 1/2 hours.

Weight: 30 Kg.

Total height: 0,80 m.

Free fall height: 0,6 m.

Safety area: 7,8 m².

Biggest piece dimension: 0,84 m.

Spare pieces availability: 3 years.



C/ Foia, 13
Pl. Alqueria
de Moret
46210 Picanya
(Valencia)



+34 963 313 677



kiwi@kiwipw.com



kiwiplaygrounds.com

The company reserves
the right to perform
any modification or
change in their products.

SPRINGS

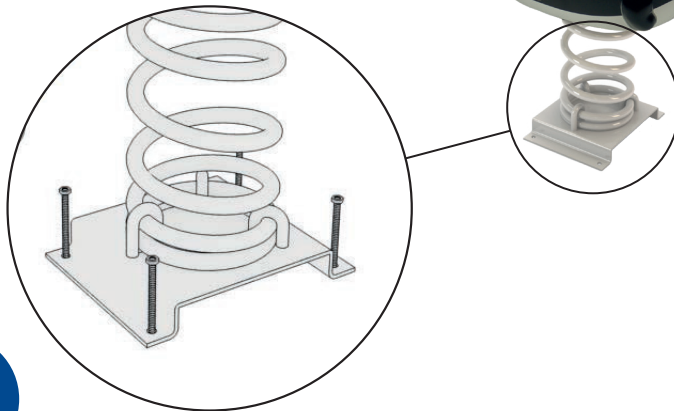


SERIE ANIMALS SERIES

The Little Ones



Anchoring detail



Installation.

Anchored to the floor with expansion bolts. Finished with compacted material coating either continuous wet-pour rubber surfacing or rubber tiles.

Maintenance.

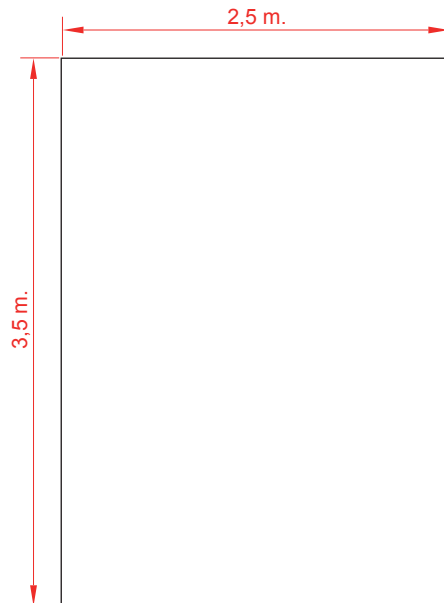
-Check: All fixing points. Screws and bolts must be periodically checked, then tightened and adjusted if necessary. The checking date must be annotated in order to establish a control.

Inspections.

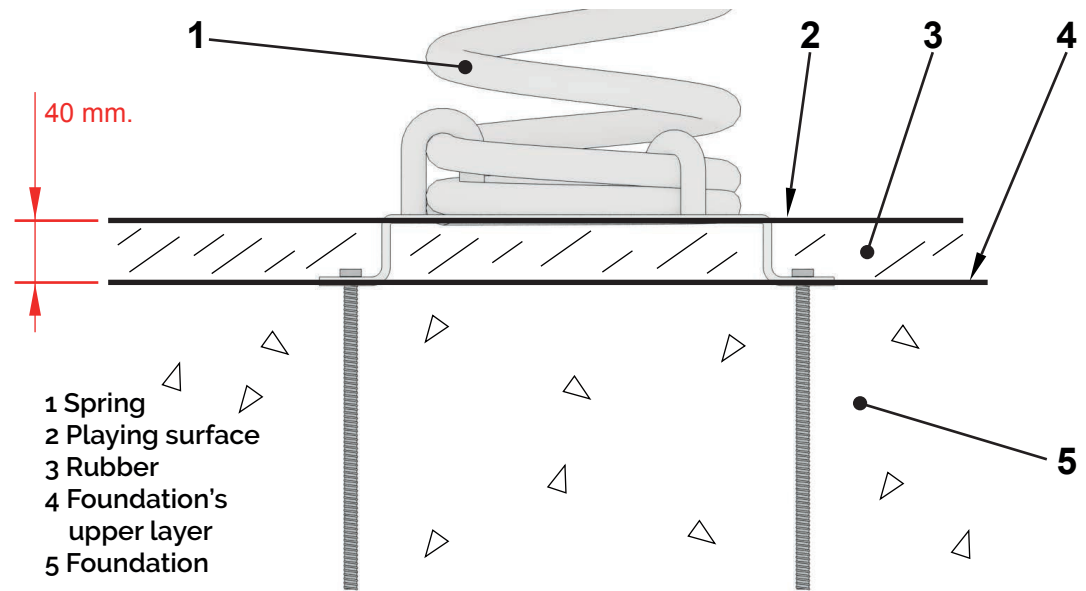
-Routine Inspection: A visual and functional inspection must be carried out every 3 months in order to check that the module has suffered no harm due to vandalish or mishandling.

-Yearly Inspection: A full inspection of the entire installation must be done to check that it keeps all norm standards and has suffered no alterations.

Foundation dimensions.



Spring Anchoring detail.



SPRINGS



C/ Foia, 13
P.I. Alqueria
de Moret
46210 Picanya
(Valencia)



+34 963 313 677



kiwi@kiwipw.com



kiwiplaygrounds.com

The company reserves
the right to perform
any modification or
change in their products.