



# The little Dragon (age 3-12 years)

Ref. KZM3000 - KZM3000A

Last check may/2018

Page 1/3

EN-1176-1: 1/7



## SERIE ANIMALS SERIES special projects

KZM3000: RIGHT SLIDE

KZM3000A: CURVED SLIDE

### Technical data.

**Assembly:** 4 pers. 4 hours.

**Weight:** 1.000 Kg.

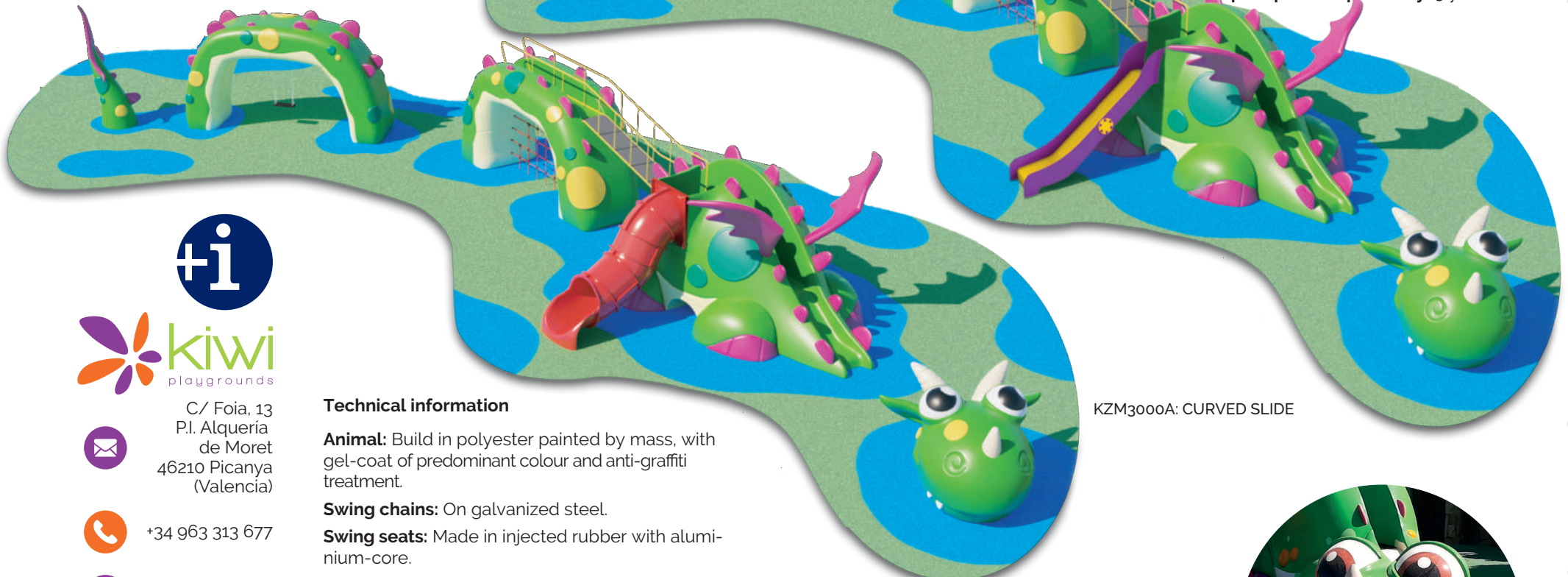
**Total high:** 3,00 m.

**Free fall height:** 1,90 m.

**Safety area:** 103,10 m<sup>2</sup>.

**Biggest element dimensions:** 5,65 m.

**Spare parts disponibility:** 3 years.



C/ Foia, 13  
P.I. Alqueria  
de Moret  
46210 Picanya  
(Valencia)



+34 963 313 677



kiwi@kiwipw.com



kiwiplaygrounds.com

The company reserves the right to perform any modification or change in their products.

### Technical information

**Animal:** Build in polyester painted by mass, with gel-coat of predominant colour and anti-graffiti treatment.

**Swing chains:** On galvanized steel.

**Swing seats:** Made in injected rubber with aluminium-core.

**Climbing holds:** Made in latest generation polyurethane with rugged finish.

**Slide:**  
Right: sides made in polyethylene and ramp made in fiberglass .

Curved: Made of polyester with fiberglass reinforcement.

**Rails:** 40 mm diameter steel tube with oven enameled paint finish.

**Platforms:** Stepable zone realized in high resistance continuous wet-pour rubber surfacing (EPDM).

**Screws:** On galvanized steel.

**Bindings:** In polyester with fiberglass reinforcement. to screw on foundation.



MULTIGAMES THEMED AREAS



# The little Dragon (age 3-12 years)

Ref. KZM3000 - KZM3000A

Last check may/2018

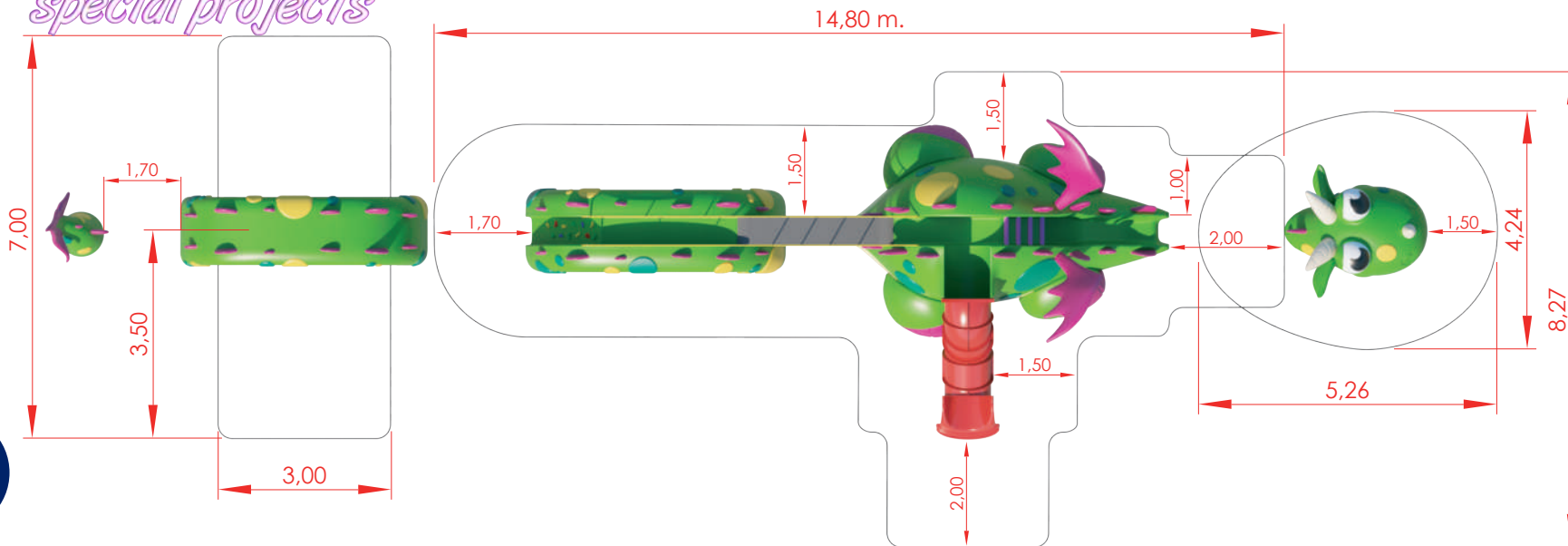
Page 2/3

EN-1176-1: 1/7

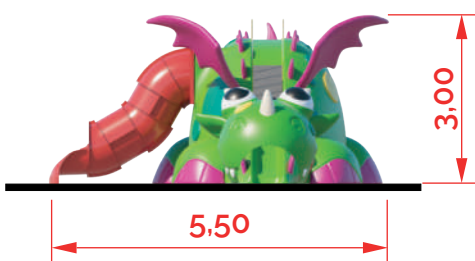


SERIE **ANIMALS**  
SERIES  
*special projects*

Total safety area: 103,10 m<sup>2</sup>

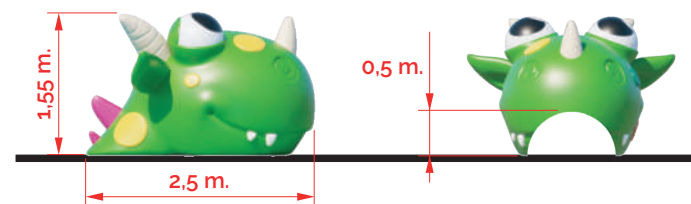


General dimensions (in meters).



### Note

The separation and orientation of the different elements, head, body and tail, can vary, as long as the necessary safety areas of each element do not conflict. Consult possible alternatives.



MULTIGAMES THEMED AREAS



C/ Foia, 13  
P.I. Alqueria  
de Moret  
46210 Picanya  
(Valencia)



+34 963 313 677



kiwi@kiwipw.com



kiwiplaygrounds.com

The company reserves  
the right to perform  
any modification or  
change in their products.



SERIE  
**ANIMALS**  
SERIES  
*special projects*



C/ Foia, 13  
P.I. Alqueria  
de Moret  
46210 Picanya  
(Valencia)



+34 963 313 677



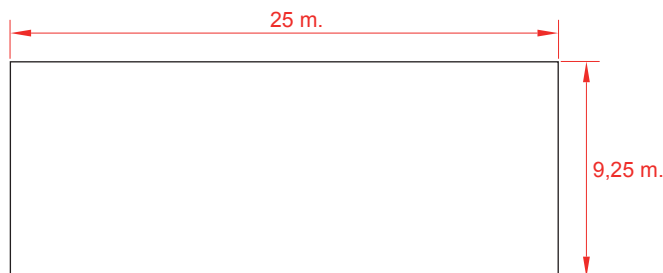
kiwi@kiwipw.com



kiwipw.com

The company reserves  
the right to perform  
any modification or  
change in their products.

**Foundation dimensions for a straight distribution  
of the elements.  
For other distributions, consult us.**



**Installation.**

Anchored to the floor with expansion bolts. Finished with compacted material coating either continuous wet-pour rubber surfacing or rubber tiles.

**Maintenance.**

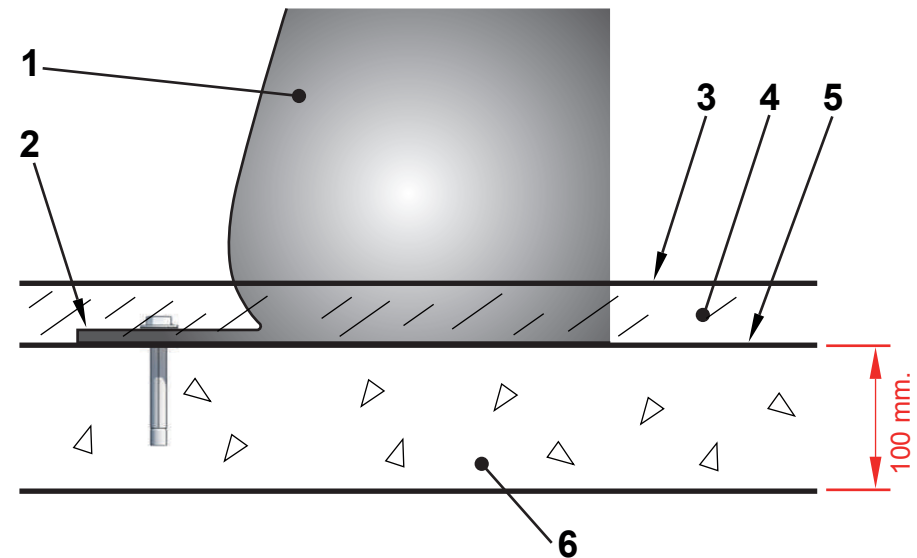
-Check: All fixing points. Screws and bolts must be periodically checked, then tightened and adjusted if necessary. The checking date must be annotated in order to establish a control.

**Inspections.**

-Routine Inspection: A visual and functional inspection must be carried out every 3 months in order to check that the module has suffered no harm due to vandalism or mishandling.

-Yearly Inspection: A full inspection of the entire installation must be done to check that it keeps all norm standards and has suffered no alterations.

Anchoring detail



1 Animal.  
2 Tab.  
3 Playing surface.

4 Rubber.  
5 Foundation's upper layer.  
6 Foundation.